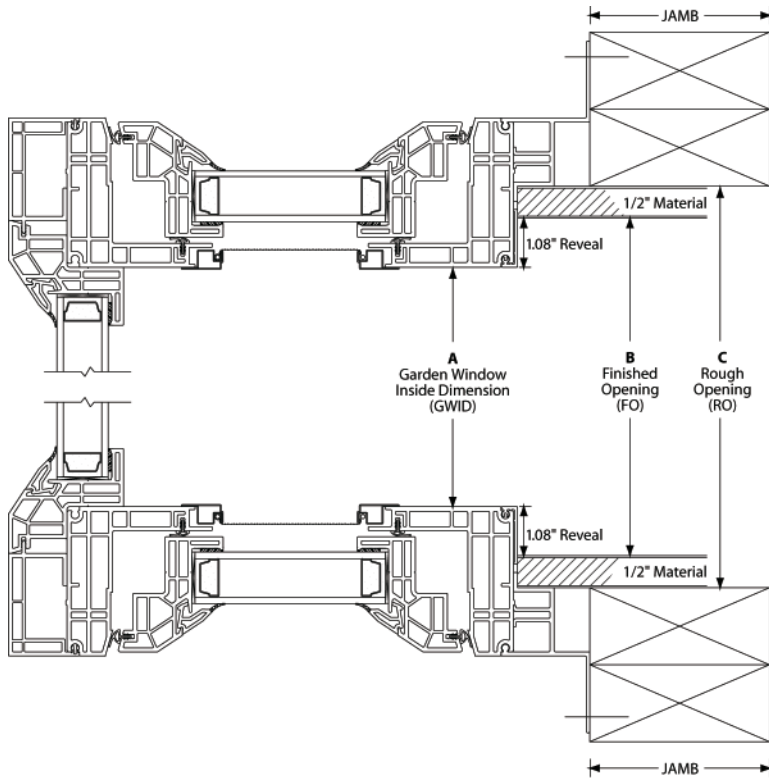


Garden Windows

Tip-to-Tip Dimensioning Formulas



Top View (Width)

A. Garden Window Inside Dimension (GWID)

Formula for Tip-to-Tip: $GWID + 2.937''$ per side ($GWID + 5.875''$)

B. Finished Opening (FO)

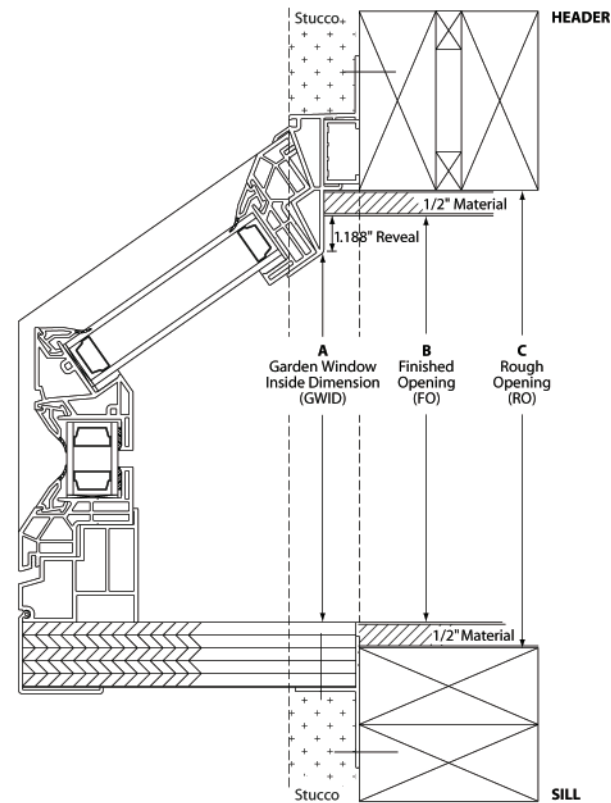
Formula for Tip-to-Tip:

$FO + 1.355''$ per side + $0.5''$ per side ($FO + 3.71''$)

Note: Using $0.5''$ wall surface material

C. Rough Opening (RO)

Formula for Tip-to-Tip: $RO + 1.329''$ per side ($RO + 2.658''$)



Side View (Height)

A. Garden Window Inside Dimension (GWID)

Formula for Tip-to-Tip:

$GWID + 2.688''$ at top + $1.25''$ at bottom ($GWID + 3.938''$)

B. Finished Opening (FO)

Formula for Tip-to-Tip: $FO + 2.0''$ at top + $1.25''$ at bottom ($FO + 3.25''$)

Note: Using $0.5''$ wall surface material

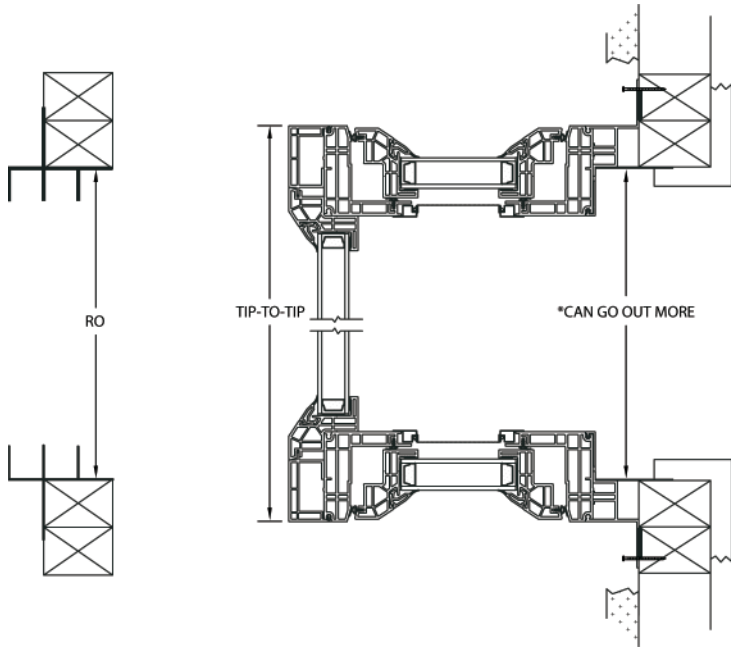
C. Rough Opening (RO)

Formula for Tip-to-Tip: $RO + 1.5''$ at top + $0.75''$ at bottom ($RO + 2.25''$)

Note: Using $0.5''$ wall surface material

Garden Windows

3 Options for Tip-to-Tip Dimensioning: Width



Existing Window
(RO = 36")

Frame needs to be removed

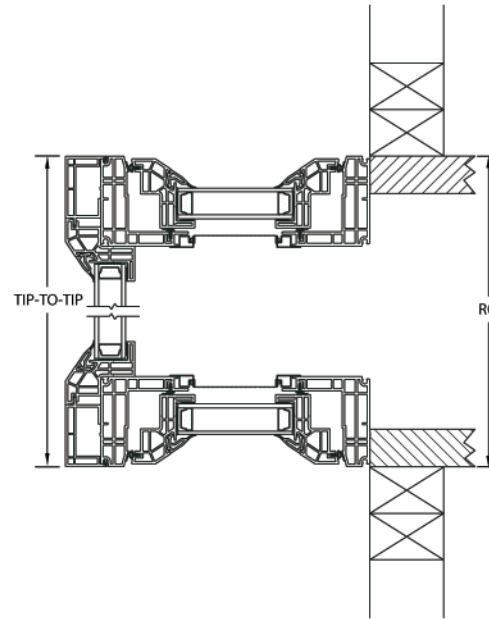
Series 2051 Garden Window
Flanged Stucco

(RO = 36")

Formula: $RO + 1.329" + 1.329"$
(1.329" each side for a total of 2.658")

Tip-to-Tip = 38.658" wide

*Note: There is still room to go wider

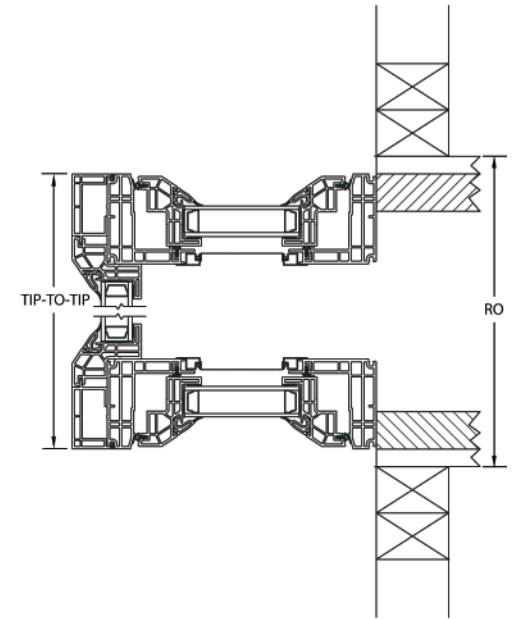


Series 2050 Garden Window
New Construction

(RO = 36")

Formula: Slightly downsize unit to fit
(recommend 0.5" deduction)

Tip-to-Tip = 35.5" wide



Series 2050 Garden Window
Retrofit

(RO = 36")

Formula: RO minus total wall surface thickness x 2 using 0.5" material.

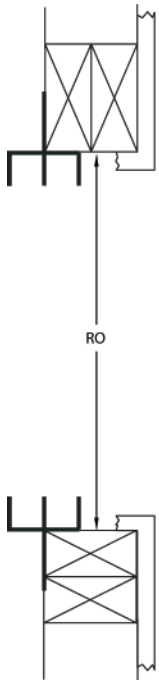
$36" - 0.5" - 0.5" = 35"$

35" with additional 0.5" deduction to ensure fit = 34.5"

Tip-to-Tip = 34.5" wide

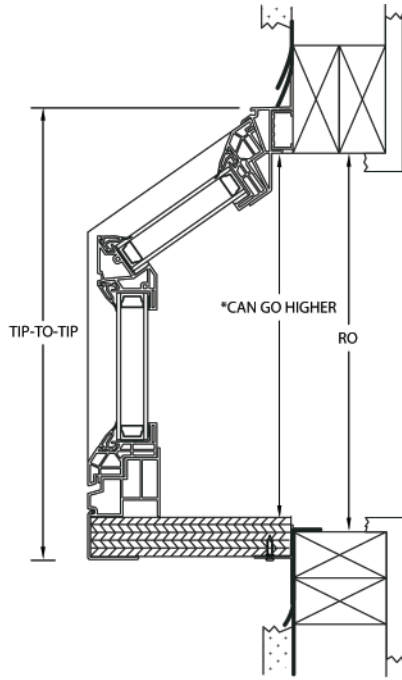
Garden Windows

3 Options for Tip-to-Tip Dimensioning: Height



Existing Window
(RO = 36")

Frame needs to be removed

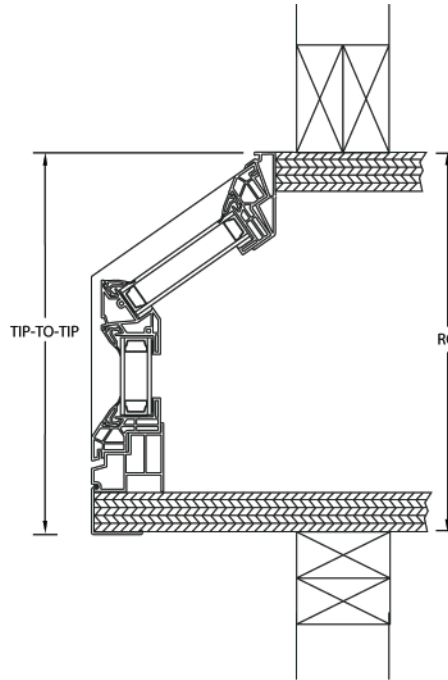


Series 2051 Garden Window
Flanged Stucco
(RO = 36")

Formula:
RO + .75" at bottom (using .05" thick sill material + 1.5" at top (for a total of + 2.25")

Tip-to-Tip = 38.658" high

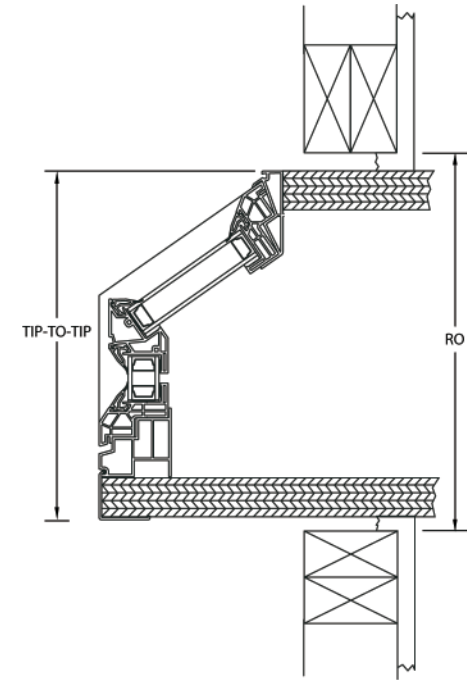
*Note: There is still room to go wider



Series 2050 Garden Window
New Construction
(RO = 36")

Formula: Slightly downsize unit to fit (recommend 0.5" deduction)

Tip-to-Tip = 35.5" high



Series 2050 Garden Window
Retrofit
(RO = 36")

Formula: RO minus head and sill thickness using 0.5" material.

$36" - 0.5" - 0.5" = 35"$

35" with additional 0.5" deduction to ensure fit = 34.5"

Tip-to-Tip = 34.5" high