

Series 2050 Garden Window  
Important Information for  
New Construction Installations

---

**Attention Installer!**

**We urge you to read and follow the attached installation instructions.**

**Failure to do so may void the warranty of this garden window unit.**

**Attention Homeowner!**

1. **All unfinished wood surfaces must be sealed within 10 days of installation!**

**Finishing Recommendations**

**Stain:** Use a three-step process:

*Step 1:*

Water-based pre-stain wood conditioner

*Step 2:*

Water-based wood stain

*Step 3:*

Water-based oil-modified polyurethane (such as Minwax® products or others)

**Paint:** Use a two-step process:

*Step 1:*

Premium interior latex primer (such as Kilz Premium® or others)

*Step 2:*

Premium interior water-based acrylic-alkyd paint (such as Sherwin-Williams ProMar 200® or others)

2. If unit includes optional glass shelf, **do not exceed weight limit of 25 pounds on the shelf to avoid damage or injury!**
3. Follow installation instructions for optional components.
4. **Do not overload the unit!**

## Series 2050 Garden Window

# Important Information for New Construction Installations

---

### Flashing and Installation

1. For new construction, we recommend that the three accessory vinyl flash flanges provided with the unit be used in conjunction with other flashing material to help drain water away from the window opening.  
Three types of flashing material are available: flexible, self-adhesive flexible and rigid.
2. Apply sill flashing material prior to window installation. Extend the ends beyond the perimeter of the opening.
3. Caulk behind the vinyl head flange and slip the garden window unit into the opening.
4. Align the interior window jamb with the interior wall; drill and countersink the jamb, head board and seat board; install the #8x3" screws provided. Finish by installing the wood plugs (see drawing).
5. The jamb flashing can be applied in a number of ways, depending on the type of flashing material being used.  
Rigid flashing can be applied before caulking and screwing in the vinyl flash flanges; flexible can be applied afterwards. Overlap the sill flashing with the jamb flashing and extend above window opening.
6. Cut the three exterior flash flange pieces to length, Caulk around the perimeter of the unit and wall. Attach vinyl flash flanges by screwing or nailing into the wall, keeping the flange tight against the window.
7. Install head flashing material last: it should overlap and extend slightly beyond the jamb flashing material, creating a "shingled" effect.
8. Finish exterior wall treatment.

### Installation of Optional Components

#### Vinyl Trim and Insulation Board

We recommend the attachment of the vinyl trim and insulation board after the garden window has been installed.

1. The projection of the garden window is a standard projection size of 17". The insulation board is cut to 18-3/8". Sill length and other factors could affect proper sizing. Be sure to take this measurement into account before cutting the board and vinyl trim to size.
2. Install vinyl trim onto the insulation board with the vinyl face of the board facing the exterior.
3. Put a bead of caulk around the perimeter of the vinyl flange face which will mate against the bottom of the seat board face.
4. Install weather-resistant screws up through the vinyl trim, insulation board and into the bottom of the seat board.  
**Warning! Screws should not exceed 1-1/2" long! Do not over-tighten!**
5. Position screws near four corners. (On larger units, additional screws should be used between the corners.)
6. Caulk gap between seat board trim and insulation board trim. Caulk along insulation board where it meets sill area of window.

#### Shelving Standards and Brackets

1. Place each standard (vertical track) 1/8" in from the inside corner of the vinyl frame with the bottom edge of the standard setting on the step of the vinyl frame.  
**Note:** There are four white rubber blocks (2 on both sides) placed in both corners of the inside of the unit. Remove the rubber blocks with pliers once the vertical tracks have been fastened.
2. Mark hole locations with a pencil.
3. Drill pilot holes through **the first wall only**.
4. Position vertical standard and attach using 1-1/2" screws.  
**Do not over-tighten screws!**

Series 2050 Garden Window  
**Typical Installation Details: New Construction**

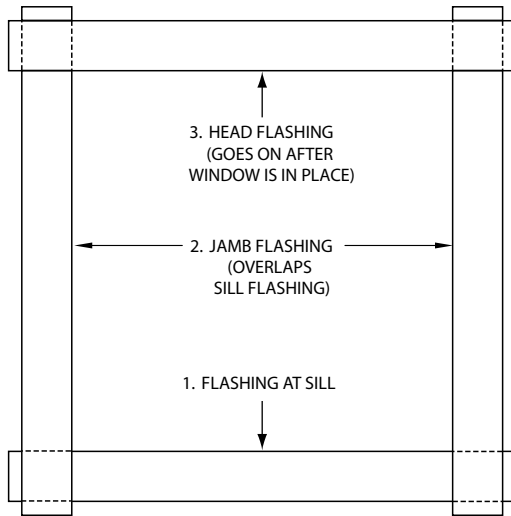
**Installer Warning!**

All units that exceed 72" wide or 60" high require knee brace support, because the unit exceeds standard size limitations for width or height.

**Flashing Diagram**

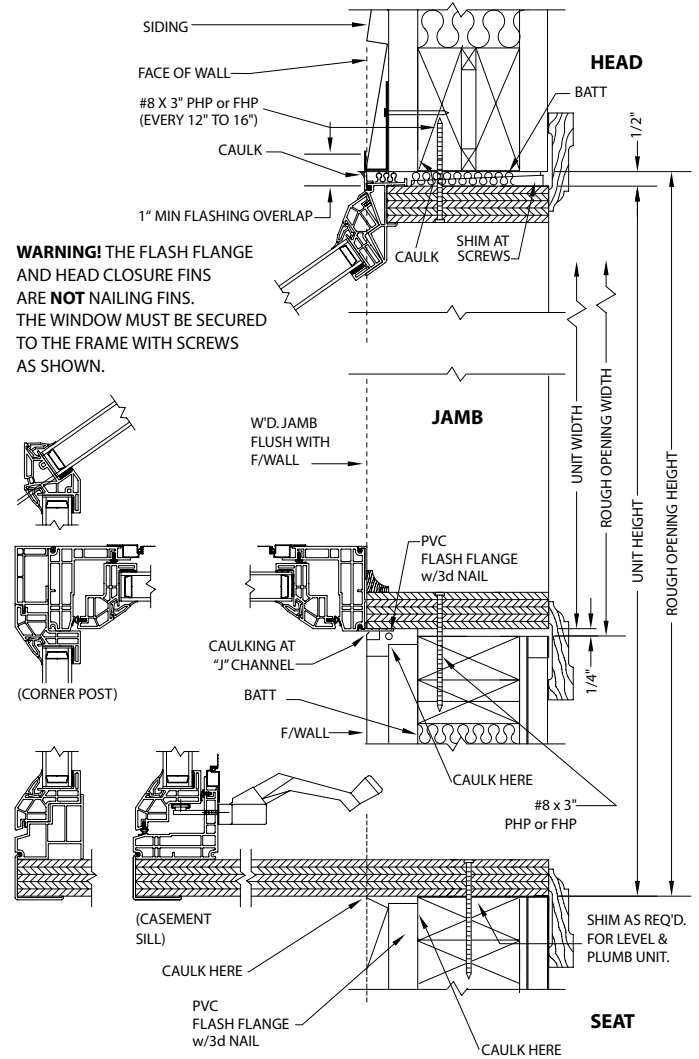
Use this sequence for flashing:

1. Sill
2. Jambs
3. Head



NOTE: The flashings go BENEATH the sheathing. The caulked flash flanges of the window go against the jamb and sill flashings.

**Frame Construction with Siding**



**WARNING!** THE FLASH FLANGE AND HEAD CLOSURE FINNS ARE **NOT** NAILING FINNS. THE WINDOW MUST BE SECURED TO THE FRAME WITH SCREWS AS SHOWN.

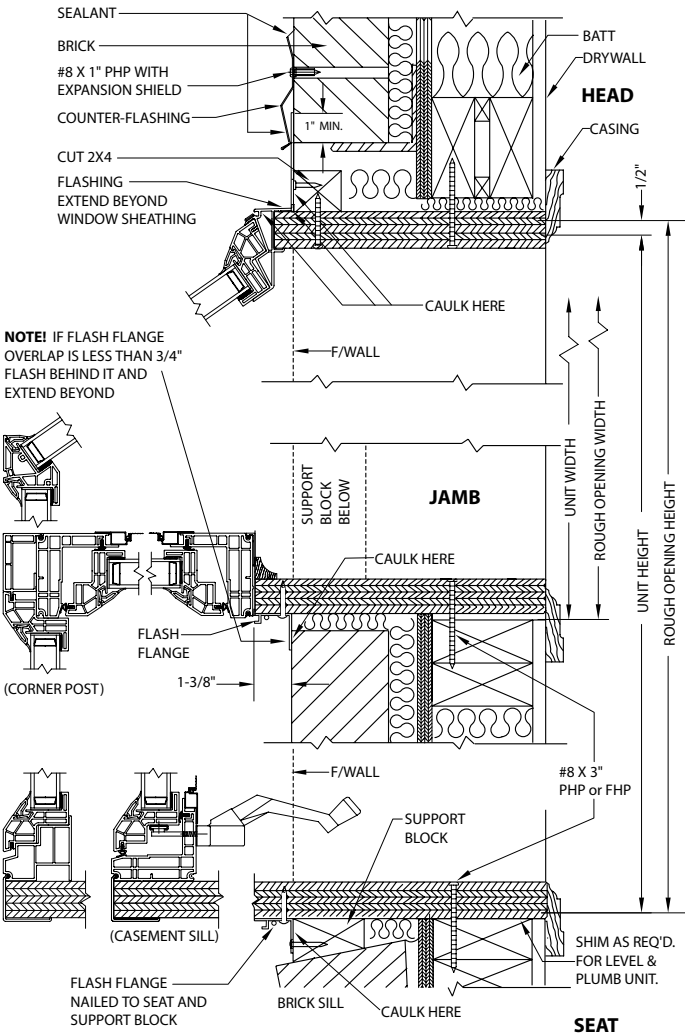
Series 2050 Garden Window

Typical Installation Details: New Construction

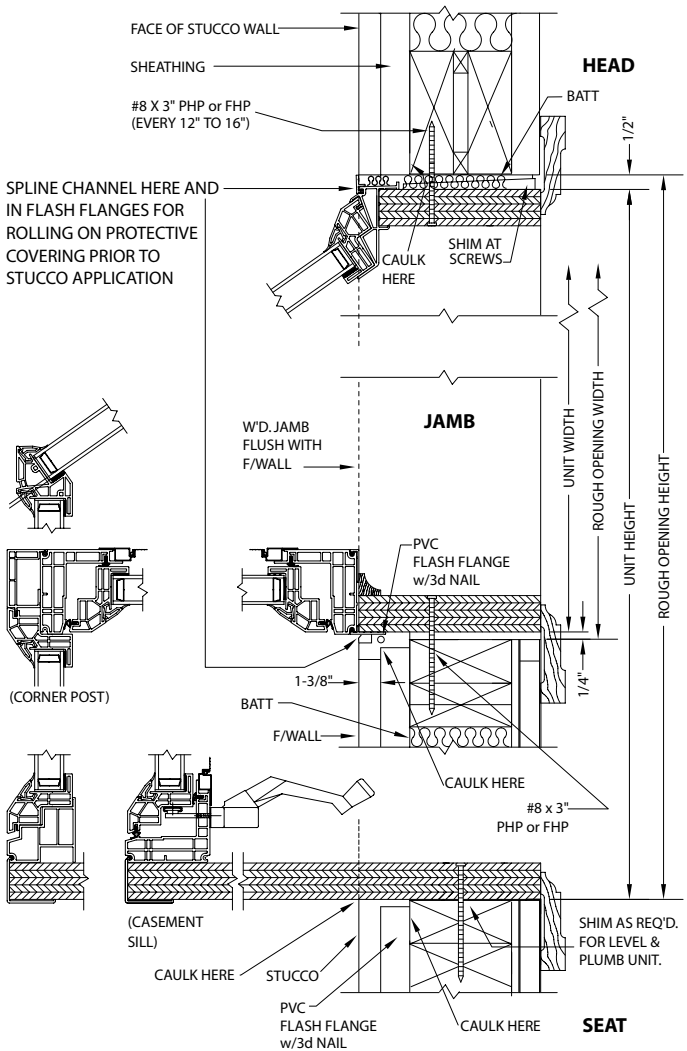
Installer Warning!

All units that exceed 72" wide or 60" high require knee brace support, because the unit exceeds standard size limitations for width or height.

Frame Construction with Brick Veneer



Frame Construction with Stucco



# Important Information for Installer & Homeowner

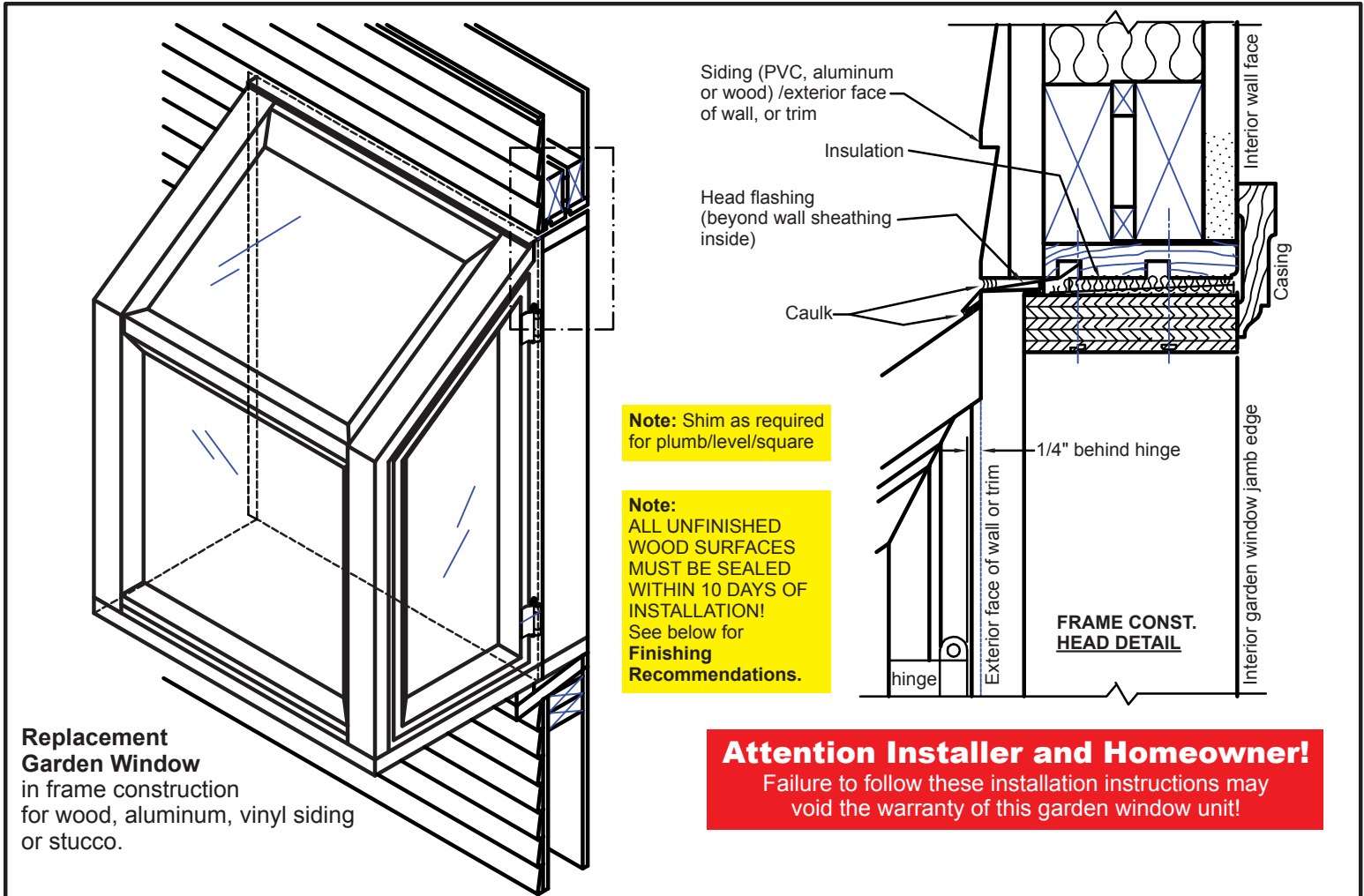
Homeowner: Please keep this information for your records, do not discard!

## Installation Instructions for Wood Frame Construction Replacement

(See other side of this sheet for installation instructions for brick & stucco replacement)

**Installers: All garden windows installed in wood frame construction must have head flashing!**

- A 1/4" to max. 1/2" distance from outside face of wall or trim to back of hinge!
- All gaps must be filled with a quality sealant!
- **Failure to do so will void warranty!**



**Replacement Garden Window**  
in frame construction  
for wood, aluminum, vinyl siding  
or stucco.

**Note:** Shim as required  
for plumb/level/square

**Note:**  
ALL UNFINISHED  
WOOD SURFACES  
MUST BE SEALED  
WITHIN 10 DAYS OF  
INSTALLATION!  
See below for  
**Finishing  
Recommendations.**

### Attention Installer and Homeowner!

Failure to follow these installation instructions may void the warranty of this garden window unit!

#### Insulation Board and Trim

- The insulation board and vinyl trim channel are cut to 18-3/8". They need to be cut to size and attached to the underside of the seat board.
  - Size and cut the trim and insulation board so that the front edge of the trim is flush with the bottom front edge of the unit, **NOT BEYOND!**
  - With the vinyl face of the insulation board facing the exterior, attach the vinyl trim channel to the insulation board.
  - Apply caulking to the trim where it mates with the bottom of the garden window.
  - Attach the trim and board, using the 1-1/2" weather-resistant screws provided. Screw through the trim and insulation board into the seat board near the four corners. Use extra screws on larger units.
- WARNING! DO NOT EXCEED 1-1/2" SCREW LENGTH! DO NOT OVERTIGHTEN!**
- Caulk gaps between the trims of both boards and where the insulation board meets the wall.

#### Finishing Recommendations

**Stain:** Use a three-step process:

- 1) Water-based pre-stain wood conditioner
- 2) Water-based wood stain
- 3) Water-based oil-modified polyurethane (such as Minwax® products or others)

**Paint:** Use a two-step process:

- 1) Premium interior latex primer (such as Kilz Premium® or others)
- 2) Premium interior water-based acrylic-alkyd paint (such as Sherwin-Williams ProMar 200® or others)

#### Glass Shelf Option

**WARNING! DO NOT** exceed weight limit of 25 lbs (total).

**In general, do not overload the unit!**

**Important Note:** All replacement garden windows for frame construction with siding require head flashing along the entire opening width and into opening beyond wall sheathing. Caulk top and bottom of head flash.

Prior to tear-out, measure overall wall thickness. Under no circumstances should the distance from the back of the hinge to the exterior wall, trim face or masonry face exceed 1/2" - **otherwise, warranty is void!** This is the area where the wood meets the vinyl frame. **LEAKAGE COULD OCCUR.**

Use #8 x 3" screws and plugs provided, a minimum of 3 per side. Screw into wall framework.

#### WARNING for Installer and Homeowner!

1. All units that exceed 72" wide or 60" high require knee brace supports since the garden window exceeds size limitations.
2. Exterior-side wood unprotected by vinyl coverages must not run beyond exterior face of wall.  
**Otherwise, leakage could occur!**
3. **Concerning removal of prime window mullions:** First determine if the mullion is load-bearing. If so, a lintel may have to be constructed or installed at the top.  
**Otherwise, the wall above could sag, incurring damage to the garden window unit!**
4. **Attention Homeowner:**  
**You are responsible for periodic inspection and maintenance of this garden window.**

# Important Information for Installer & Homeowner

Homeowner: Please keep this information for your records, do not discard!

## Installation Instructions for Brick & Stucco Replacement

(See other side of this sheet for installation instructions for wood frame construction)

**Installers: Inspect mortar joints and brick prior to installation.**  
**Head flashing may be required for questionable openings!**

